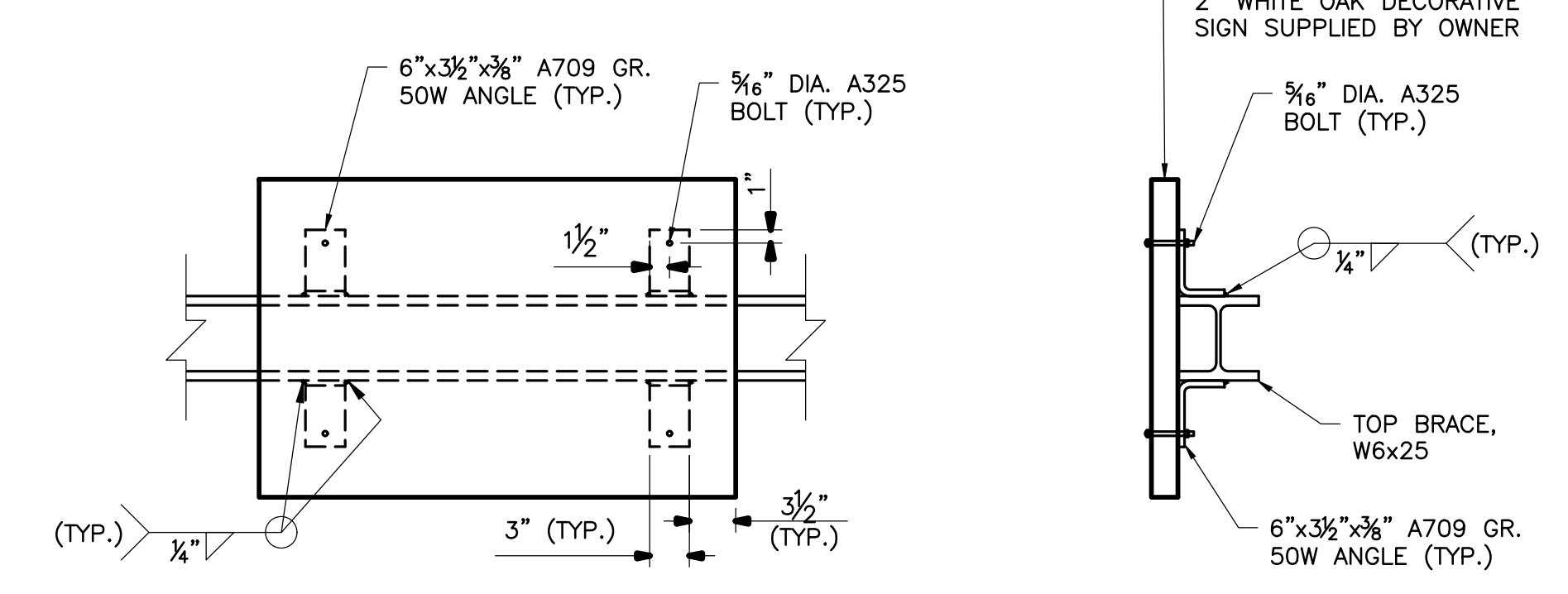
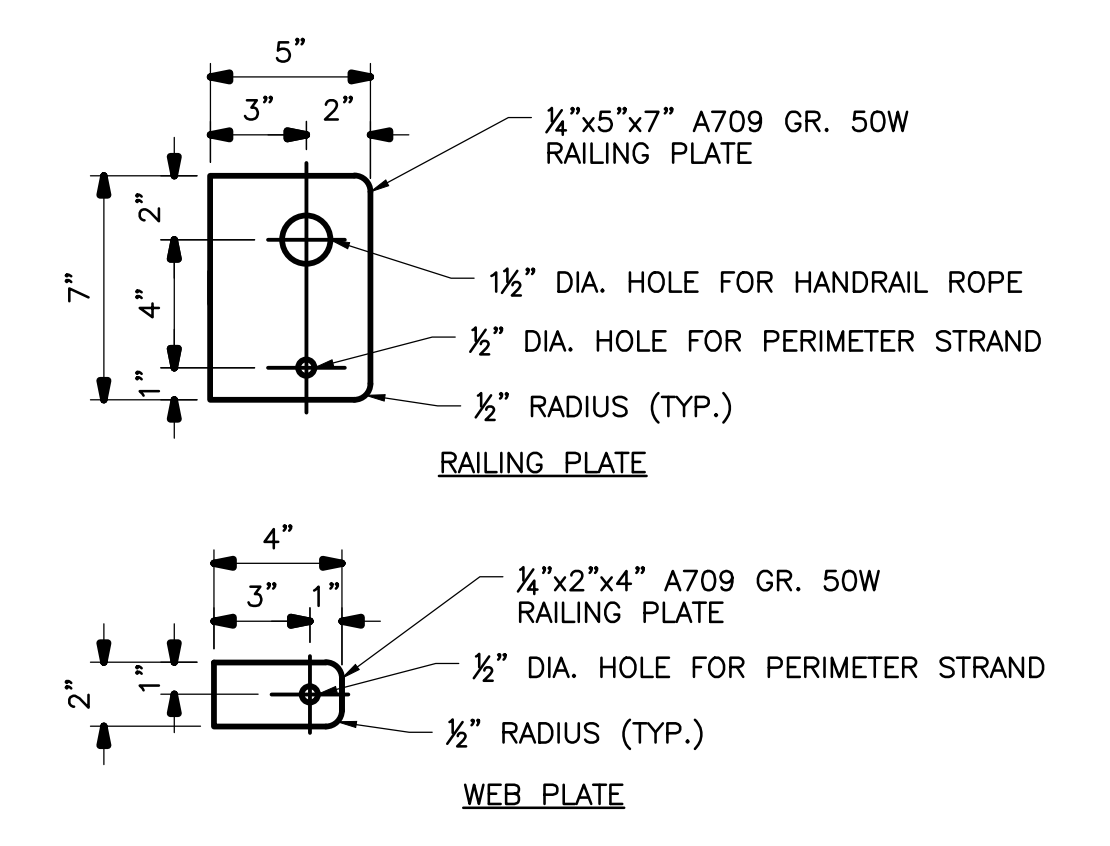
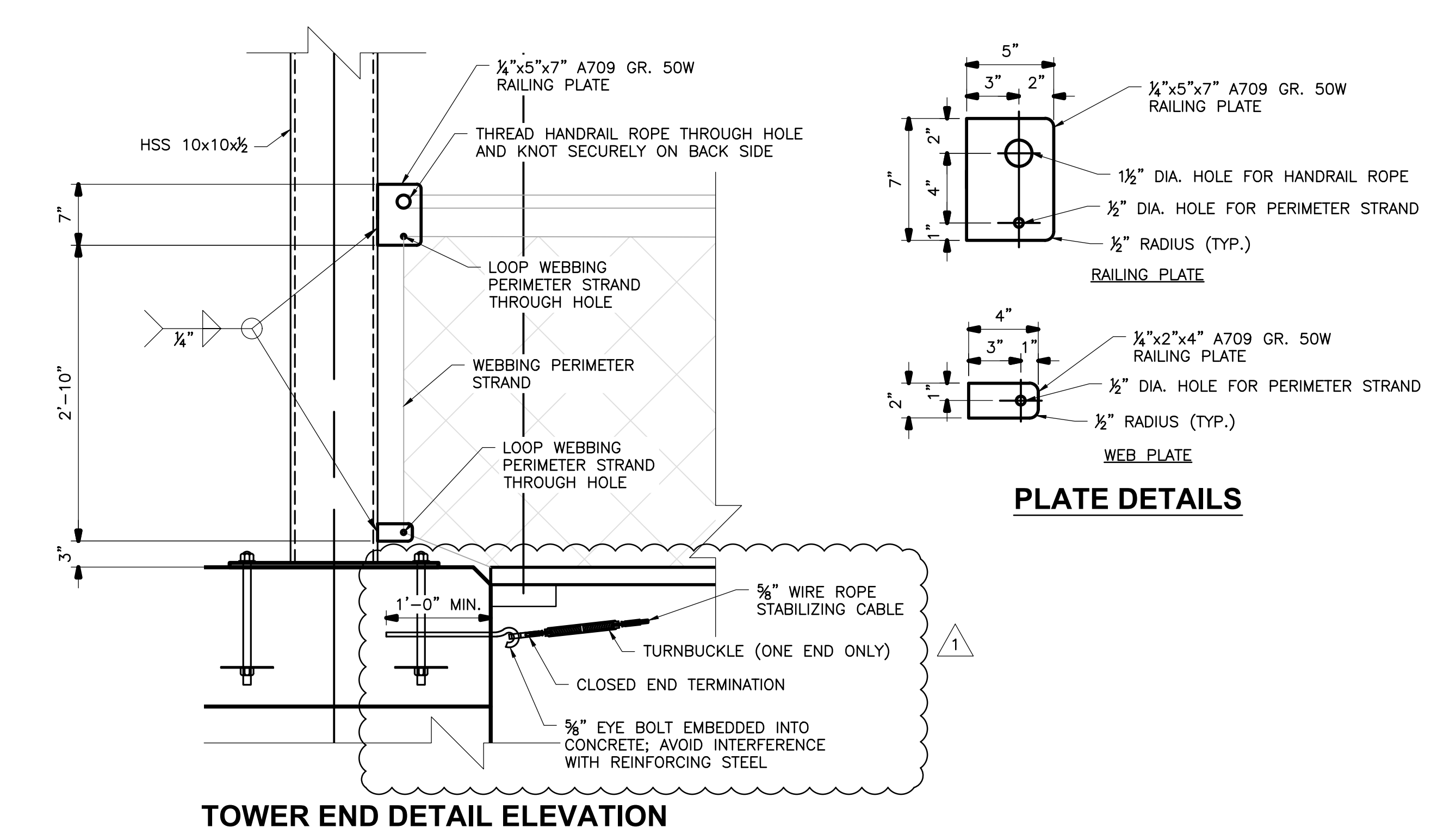
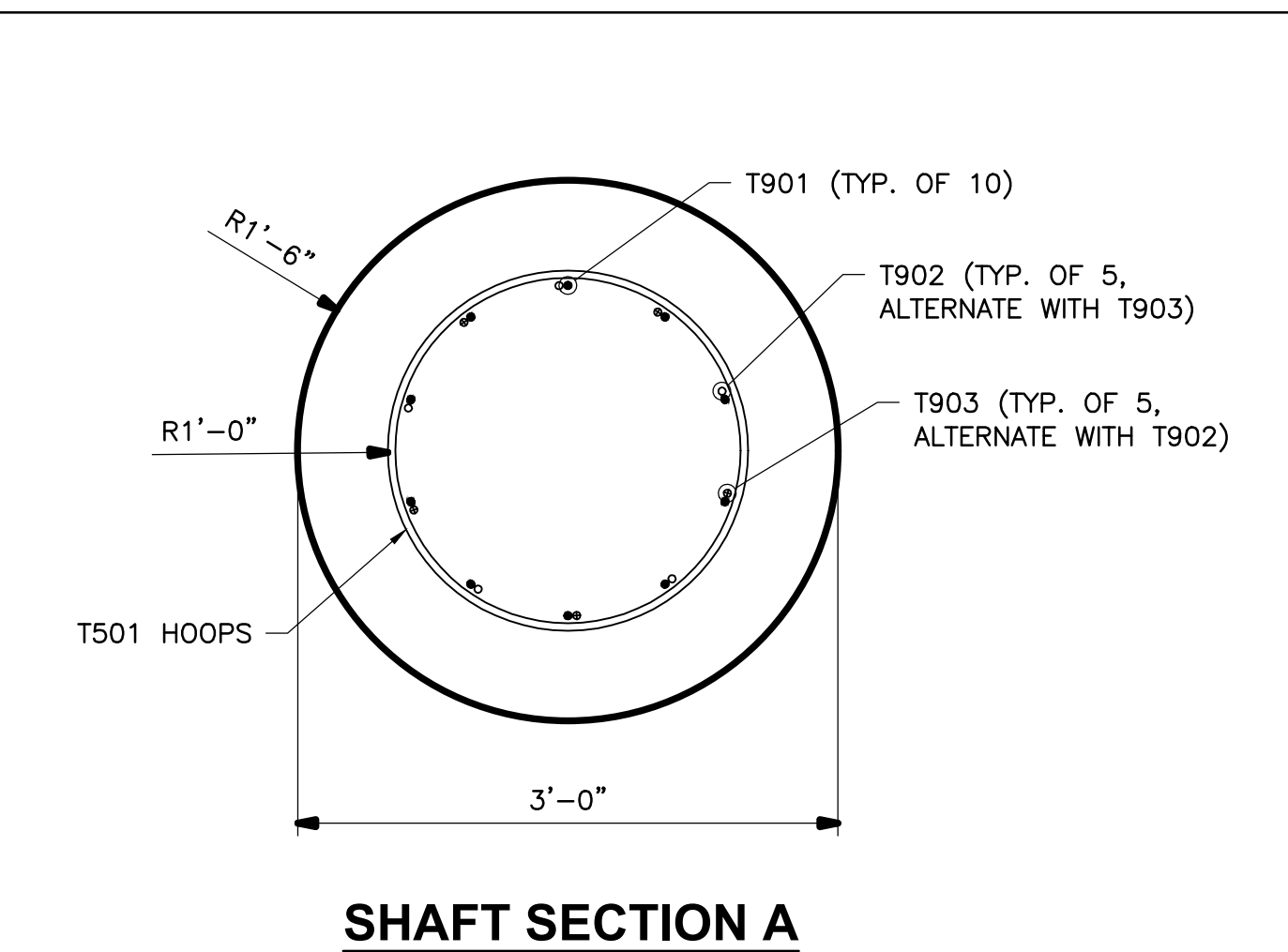
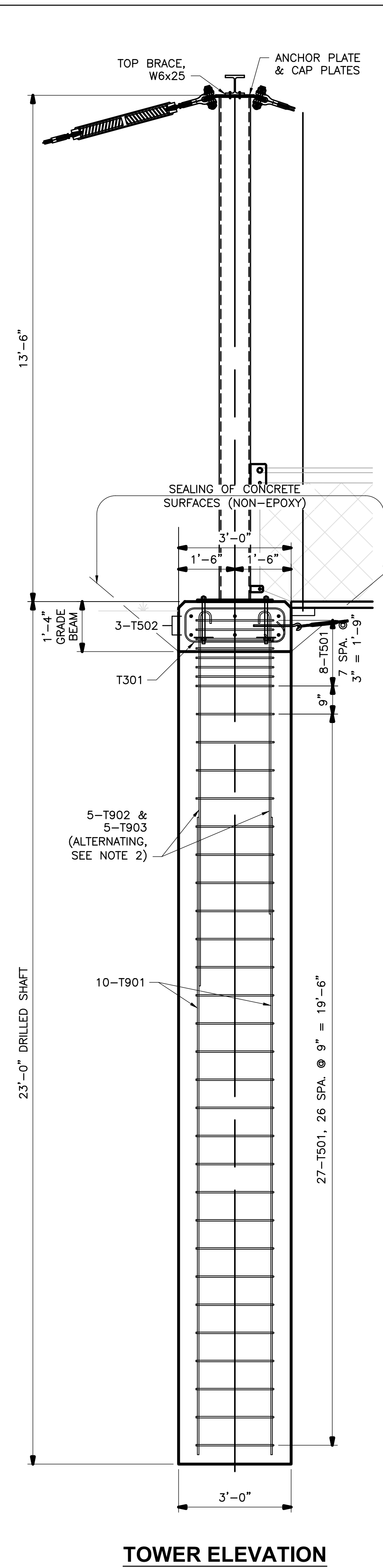
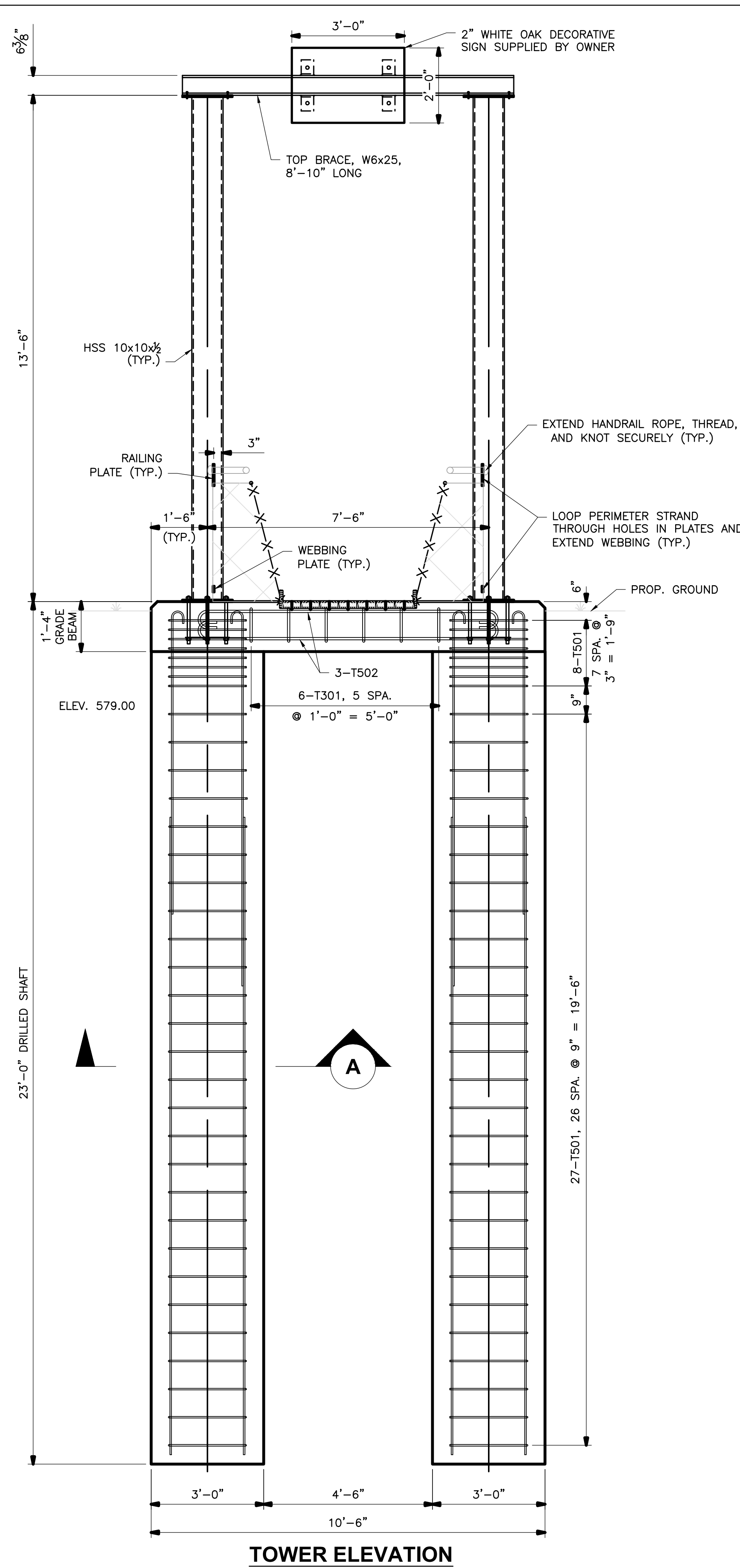


G:\DE\Clients\OH_ClermontCountyParks\10015815_WilsonPreservePedBridge\4.0 Disciplines\Structural\Sheets\CLE000_S1001_REV.dwg_07-Aug-24 5:30 PM



- NOTES:**
1. ALTERNATE LAP BARS SUCH THAT NO ADJACENT SHAFT LONGITUDINAL BAR IS LAPPED AT THE SAME VERTICAL POINT.
 2. SEE SHEET 8/12 FOR TOP CONNECTION DETAILS. SEE SHEET 9/12 FOR BOTTOM CONNECTION DETAILS.
 3. MINIMUM REINFORCING STEEL LAP LENGTHS SHALL BE AS FOLLOWS:
#9 = 6'-0"